

Figure 8-1 Assembly Locations (LaserJet 4L shown)

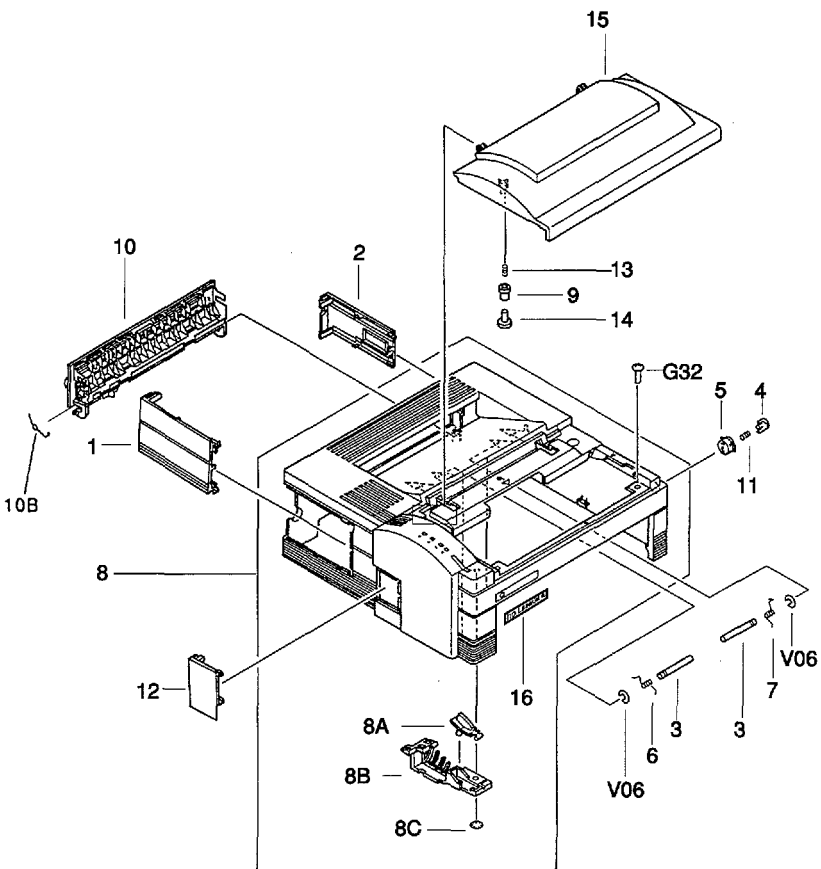


Figure 8-2 Covers and Doors (LaserJet 4L/4ML only)

Table 8-2 Covers and Doors (LaserJet 4L/4ML only)

REF	PART NO.	QTY	DESCRIPTION
	RG5-0685-000CN	1	Cover Assembly*
1	RB1-2977-000CN	1	Door, I/O
2	RB1-2978-000CN	1	Door, Power
3	RB1-3131-000CN	2	Shaft, Top Door Hinge
4	RB1-3132-000CN	1	Button, Lock
5	RB1-3133-000CN	1	Guide, Lock Button
6	RB1-3134-000CN	1	Spring, Left Torsion
7	RB1-3135-000CN	1	Spring, Right Torsion
8	RF5-0597-000CN	1	Cover, Main
8A	RB1-3128-000CN	1	Front Panel Button
8B	RB1-2976-000CN	1	Light Pipe
8C	XD2-2300-402CN	3	Washer, SE Ring
9	RB1-3130-000CN	2	CRG Pressure Piece
10	RG5-0691-000CN	1	Door, Back Assembly
10B	RB1-3138-000CN	1	Spring, Torsion
11	RS5-2228-000CN	1	Spring, Top Door Latch
12	RB1-2979-000CN	1	Door, Memory
13	RS5-2227-000CN	2	Spring, Top Door Compression
14	XA9-0634-000CN	2	Screw, Top Door
15	RB1-3129-000CN	1	Door, Top
16	C2003-00005	1	Nameplate, LaserJet 4L
16	C2015-00001	1	Nameplate, LaserJet 4ML
V06	XD2-1100-242CN	2	E-Clip

*Cover assembly does not include items 1, 2 and 12.

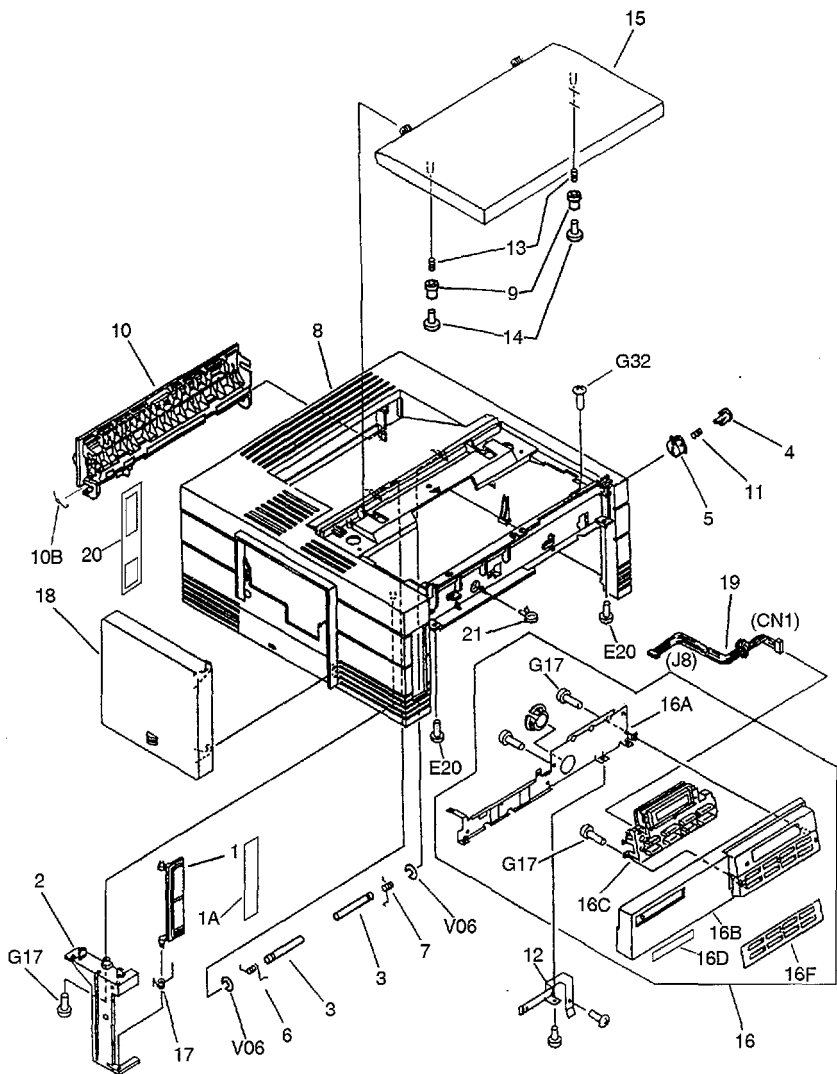


Figure 8-3 Covers and Doors (LaserJet 4P/4MP only)

Table 8-3 Covers and Doors (LaserJet 4P/4MP only)

REF	PART NO.	QTY	DESCRIPTION
	RG5-0810-000CN	1	Cover Assembly
1	RB1-3352-000CN	1	Cover, Font
1A	C2040-40002	1	Font Door Plug, LaserJet 4MP
2	RB1-3353-000CN	1	Hinge, Font Cover
3	RB1-3131-000CN	2	Shaft, Top Door Hinge
4	RB1-3356-000CN	1	Button, Lock
5	RB1-3357-000CN	1	Guide, Lock Button
6	RB1-3798-000CN	1	Spring, Left Torsion
7	RB1-3799-000CN	1	Spring, Right Torsion
8	RF5-0681-000CN	1	Cover, Main
9	RB1-3130-000CN	2	CRG Pressure Piece
10	RG5-0691-000CN	1	Door, Back Assembly
10B	RB1-3138-000CN	1	Spring, Torsion
11	RS5-2228-000CN	1	Spring, Top Door Latch
12	RB1-3417-000CN	1	Plate, Grounding
13	RS5-2227-000CN	2	Spring, Top Door Compression
14	XA9-0634-000CN	2	Screw, Top Door
15	RB1-3332-000CN	1	Door, Top
16	RG5-0812-000CN	1	Control Panel Assembly
16A	RB1-3416-000CN	1	RFI Shield, Control Panel PCA
16B	RF5-0682-000CN	1	Bezel Assembly
16C	RG5-0816-000CN	1	Control Panel PCA
16D	C2005-00006	1	Nameplate, LaserJet 4P
16D	C2040-00001	1	Nameplate, LaserJet 4MP
16F	(see Table 8-13)		Keyboard Overlay (Localized)
17	RS5-2255-000CN	1	Spring, Font Door Torsion
18	RG5-0813-000CN	1	SIMM Cover Assembly
19	RG5-0815-000CN	1	Display Cable
20	C2005-40001	1	I/O Cover Plate, LaserJet 4P
20	C2040-40001	1	I/O Cover Plate, LaserJet 4MP
V06	XD2-1100-242CN	2	E-Clip

Accessories and Supplies

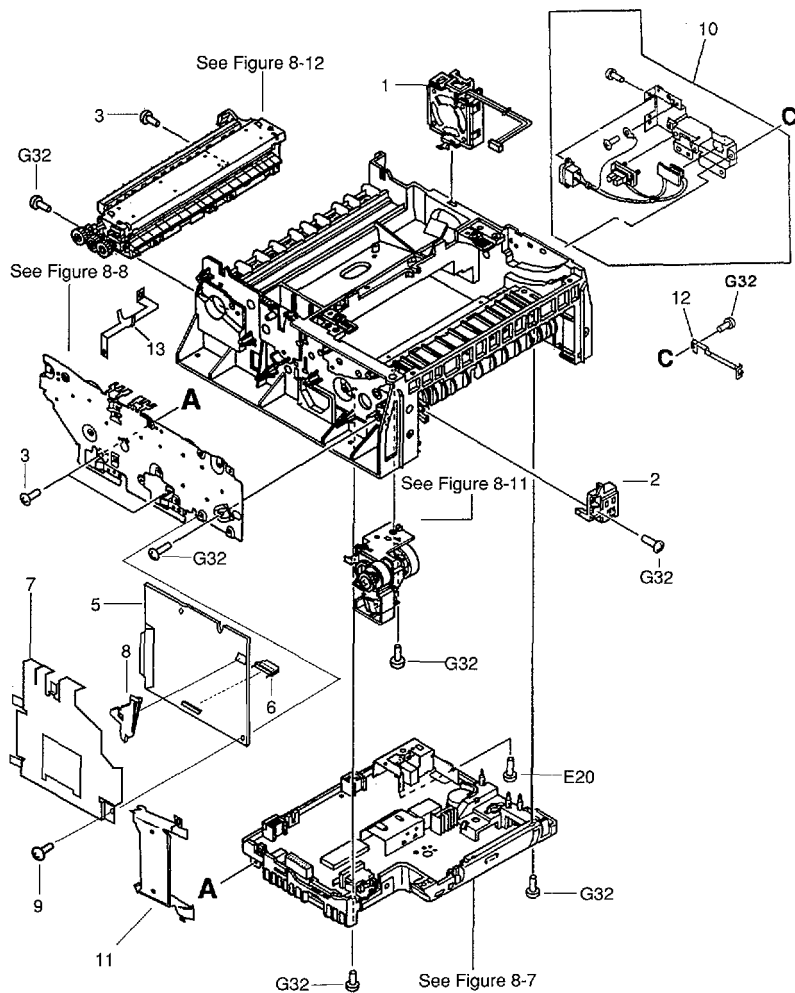


Figure 8-4 Internal Components 1

Table 8-4 Internal Components 1

REF	PART NO.	QTY	DESCRIPTION
1	RG5-0703-000CN	1	Fan Assembly
2	RG5-0669-000CN	1	Front Oblique Roller Assembly
3	XA9-0654-000CN	**	Screw, M3X10
5	C2004-67901 C2004-69001 C2016-67901 C2016-69001 C2006-67901 C2006-69001 C2041-67901 C2041-69001	1	Formatter PCA: LaserJet 4L (New) LaserJet 4L (Exchange) LaserJet 4ML (New)* LaserJet 4ML (Exchange)* LaserJet 4P (New)* LaserJet 4P (Exchange)* LaserJet 4MP (New)* LaserJet 4MP (Exchange)*
6	1252-5278 1252-5460	1	DC Controller Connector LaserJet 4L/4ML LaserJet 4P/4MP
7	C2003-00032 C2015-00002 C2015-00003 C2005-00013	1	RFI Shield: LaserJet 4L LaserJet 4ML* LaserJet 4ML, Mini DIN* LaserJet 4P/4MP*
8	C2003-40001	1	Switch Acuator (LaserJet 4L/ML)
9	0515-2419 0515-2251	**	Screw, washer-head long (12 mm) short (8 mm)*
10	RG5-0805-000CN	1	Power Switch (LaserJet 4P/4MP)
11	C2005-00004	1	Font Guide (LaserJet 4P/4MP)
12	RB1-3405-000CN	1	Grounding Plate (LaserJet 4P/4MP)
13	RB1-3404-000CN	1	Grounding Plate (LaserJet 4P/4MP)

*Part shown in Figure 8-4 is for other printer model; actual part looks different.

**Quantity varies - dependent on printer model.

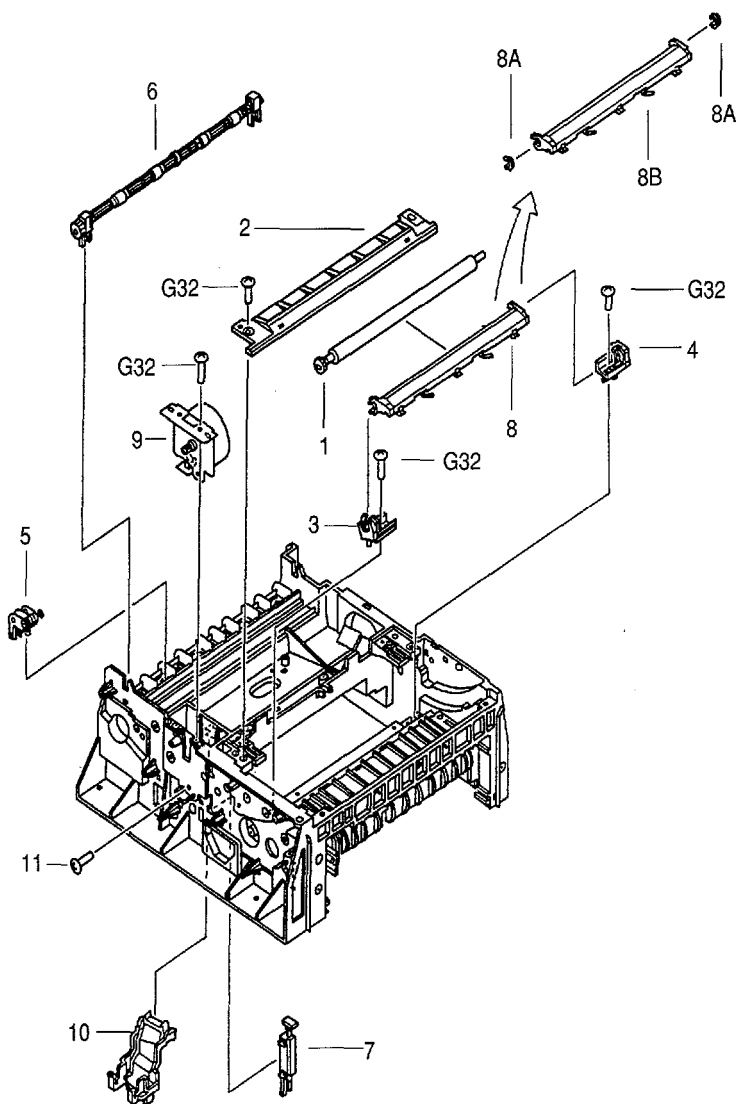


Figure 8-5 Internal Components 2

Table 8-5 Internal Components 2

REF	PART NO.	QTY	DESCRIPTION
1	RF5-0596-000CN	1	Roller, Transfer Assembly *
2	RG5-0667-000CN RG5-0802-000CN	1	Beam-to-Drum Mirror Assembly: LaserJet 4L/4ML LaserJet 4P/4MP
3	RG5-0674-000CN	1	Mount, Transfer Assembly, Left
4	RG5-0675-000CN	1	Mount, Transfer Assembly, Right
5	RG5-0682-000CN	4	Roller, Lower Output Assembly
6	RG5-0683-000CN	1	Roller, Upper Output Assembly
7	RG5-0694-000CN	1	Switch, Plunger Assembly
8	RG5-0702-000CN	1	Transfer Guide Assembly
8A	RB1-3073-000CN	2	Bushing
8B	RF5-0585-000CN	1	Transfer Guide
9	RG5-0764-000CN	1	Motor, Main Assembly
10	RG5-0766-000CN	1	Scanner Connector Assembly
11	XA9-0495-000CN	1	Screw, Main Motor

* Includes drive gear.

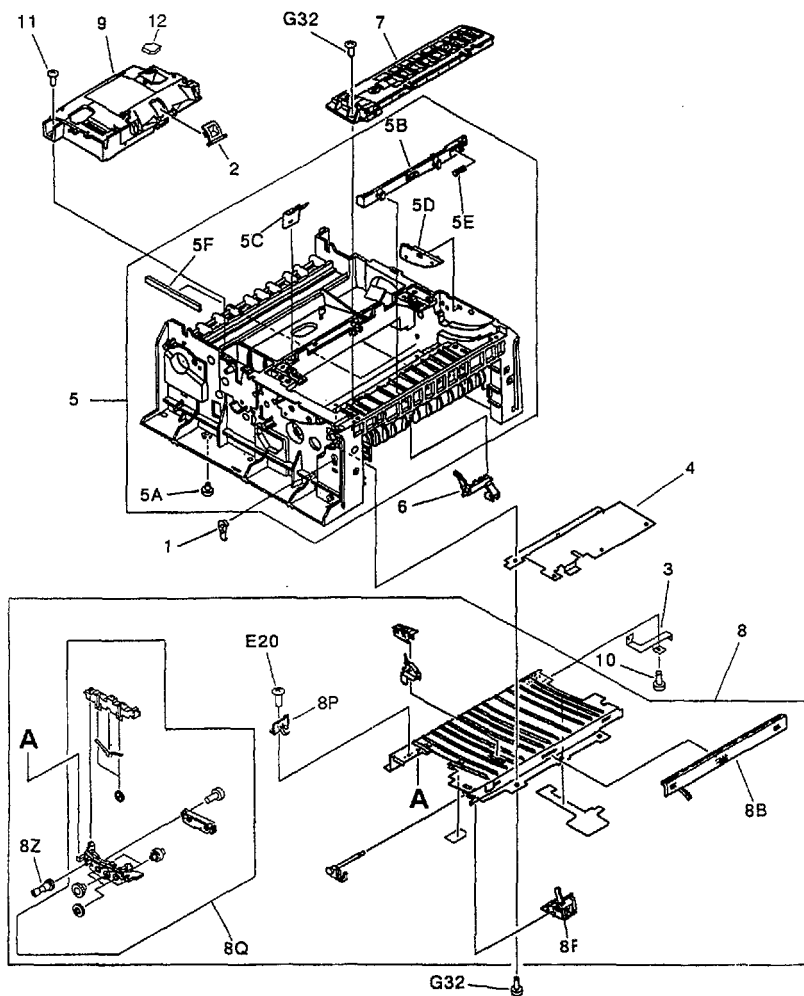


Figure 8-6 Internal Components 3

Table 8-6 Internal Components 3

REF	PART NO.	QTY	DESCRIPTION
1	RB1-2971-000CN	1	Bushing, D-roller
2	RB1-3681-000CN	1	Cap, Laser Shutter
3	RB1-2984-000CN RB1-3403-000CN	1	Plate, Fuser Ground: LaserJet 4L/4ML LaserJet 4P/4MP
4	RB1-2987-000CN	1	Shield, High Voltage
5	RG5-0805-000CN	1	Plate, Gear Plate Ground
5A	RB1-3001-000CN	4	Foot, Chassis
5B	RB1-3002-000CN	1	Plunger Lock, Door
5C	RB1-3003-000CN	1	Spring, Scanner Leaf
5D	RB1-3004-000CN	1	Plate, CRG
5E	RS5-2232-000CN	1	Spring, Compression
6	RF5-0601-000CN		Arm, Input Paper Sensor
7	RG5-0670-000CN	1	Top Oblique Roller Assembly
8	RG5-0671-000CN RG5-0793-000CN	1	Guide, Feeder Assembly: LaserJet 4L/4ML LaserJet 4P/4MP
8B	RF5-0584-000CN	1	Static Eliminator Assembly
8F	RG5-0672-000CN	1	Switch, Cam Assembly
8Q	RG5-0794-000CN	1	Roller Assy, Small Media (4P/4MP)
8P	RB1-3365-000CN	1	Shaft Holder (LaserJet 4P/4MP)
8Z	RS5-0364-000CN	1	Drive Gear (LaserJet 4P/4MP)
9	RG5-0662-000CN C2003-69005 RG5-0800-000CN C2005-69005	1	Laser/Scanner Assembly: LaserJet 4L/4ML (New) LaserJet 4L/4ML (Exchange) LaserJet 4P/4MP (New) LaserJet 4P/4MP (Exchange)
10	XA9-0653-000CN	1	Screw, M3X6
11	XB4-7401-209CN	3	Screw, Scanner
12	RB1-3392-000CN	1	Dust Cover, Foam Rubber

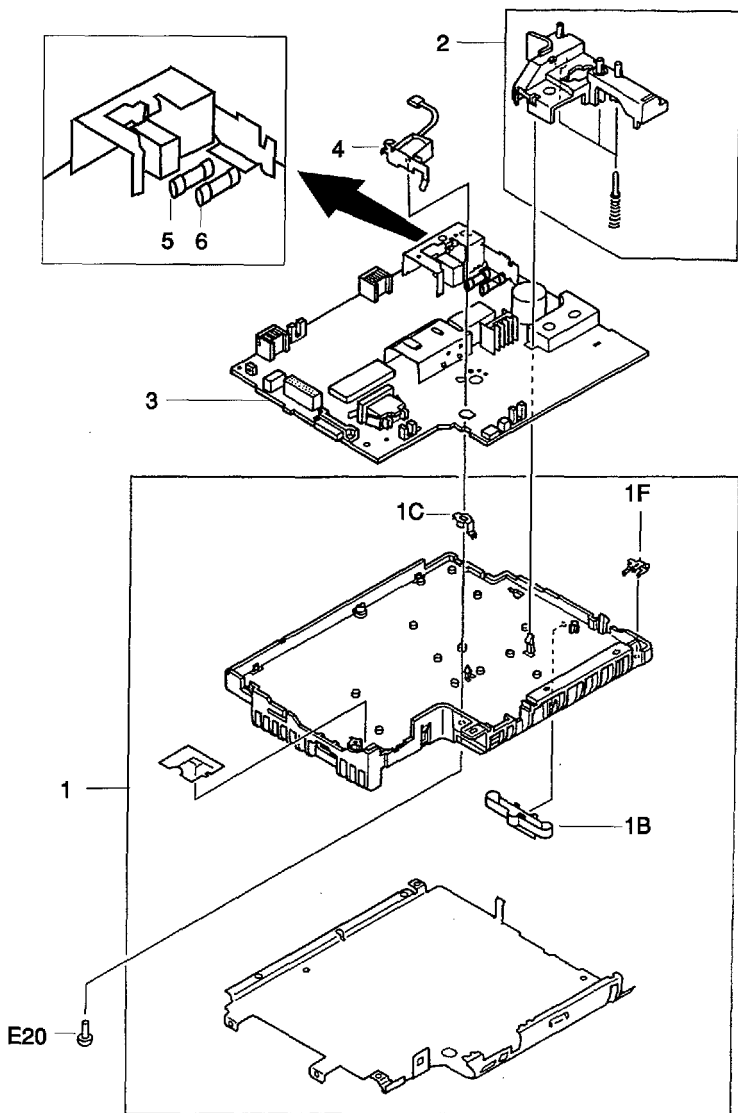


Figure 8-7 DC Controller Assembly

Table 8-7 DC Controller Assembly

REF	PART NO.	QTY	DESCRIPTION
1	RG5-0700-000CN	1	DC Controller Case Assembly
1B	RB1-3151-000CN	1	Spring, Cassette Side
1C	RB1-3152-000CN	1	Plate, Solenoid Ground
1F	RB1-3164-000CN	1	Plate, Ground
2	RG5-0701-000CN	1	High Voltage Connector Assembly
3	RG5-0753-000CN C2003-69003 RG5-0822-000CN C2005-69003	1	DC Controller PCA, 100-120V : LaserJet 4L/4ML (New) LaserJet 4L/4ML (Exchange) LaserJet 4P/4MP (New) LaserJet 4P/4MP (Exchange)
3	RG5-0767-000CN C2003-69004 RG5-0823-000CN C2005-69004	1	DC Controller PCA, 220-240V : LaserJet 4L/4ML (New) LaserJet 4L/4ML (Exchange) LaserJet 4P/4MP (New) LaserJet 4P/4MP (Exchange)
4	RH7-5092-000CN	1	Pick-up Solenoid (SL2)
5	WD1-0288-000CN	1	Fuse FU101, 100-120V
5	VD7-0643-151CN	1	Fuse FU101, 220-240V
6	VD7-0522-501CN	1	Fuse FU201, 100-120V ONLY

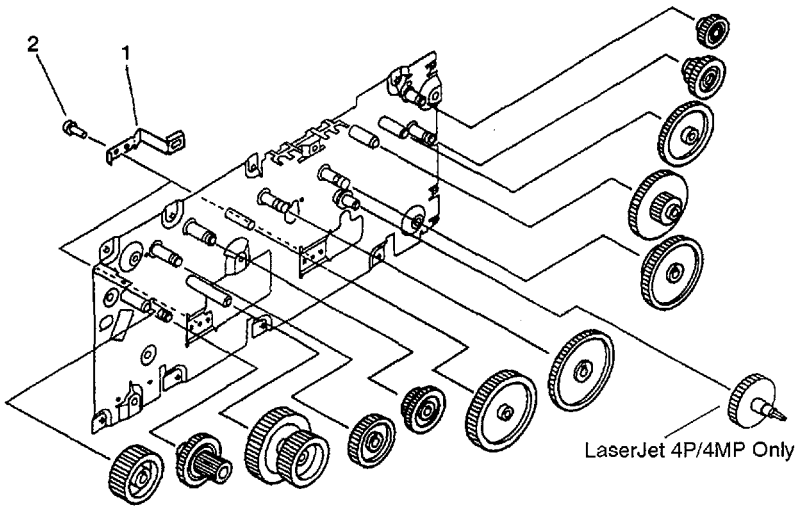


Figure 8-8 Gear Train Plate Assembly

Table 8-8 Gear Train Plate Assembly

REF	PART NO.	QTY	DESCRIPTION
	RG5-0684-000CN RG5-0791-000CN	1	Gear Train Plate Assembly: LaserJet 4L/4ML LaserJet 4P/4MP
1	RB1-3125-000CN RB1-3402-000CN	2	Spring, Leaf LaserJet 4L/4ML LaserJet 4P/4MP
2	XB2-7300-606CN	2	Screw, w/star washer (M3X6)

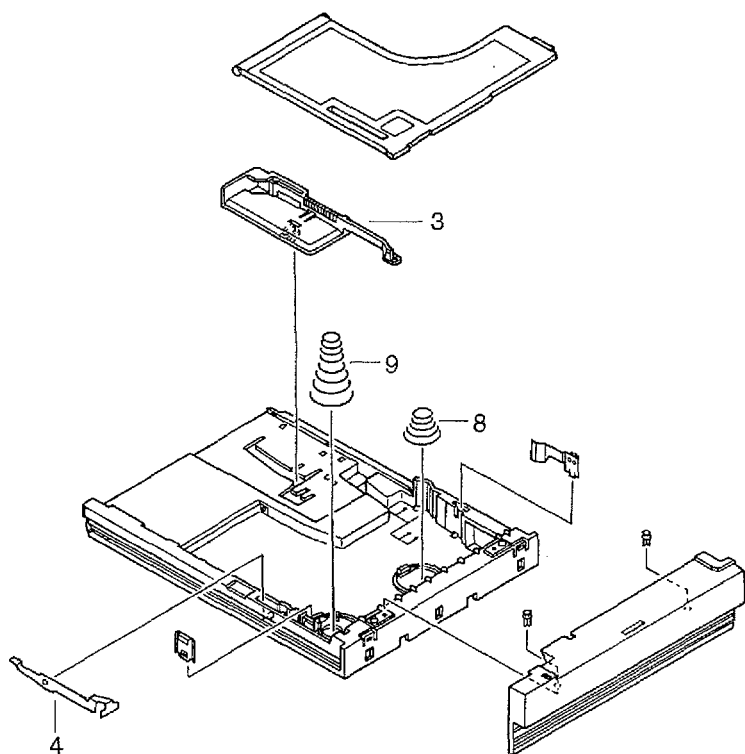


Figure 8-9 Paper Cassette (LaserJet 4L/4ML)

Table 8-9 Paper Cassette (LaserJet 4L/4ML)

REF	PART NO.	QTY	DESCRIPTION
	R75-0010-000CN	1	Universal Paper Cassette
3	RB1-3142-000CN	1	Guide, Forms Size
4	RB1-3143-000CN	1	Claw, Separation
8	RS5-2229-000CN	1	Spring, Compression Small
9	RS5-2230-000CN	1	Spring, Compression Large

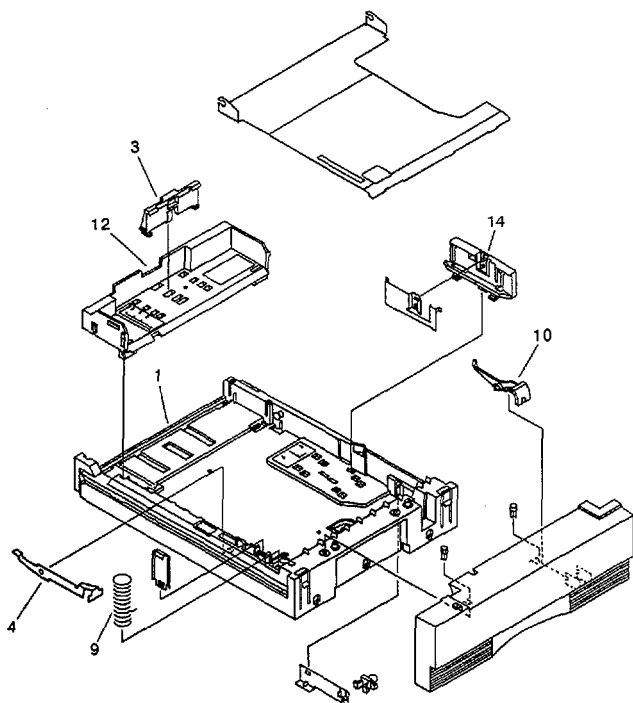


Figure 8-10 Paper Cassette (LaserJet 4P/4MP)

Table 8-10 Paper Cassette (LaserJet 4P/4MP)

REF	PART NO.	QTY	DESCRIPTION
	R75-2010-000CN	1	Universal Paper Cassette
3	RB1-3338-000CN	1	Plate, End
4	RB1-3143-000CN	1	Claw, Separation
9	RS5-2254-000CN	1	Spring, Compression
10	RB1-3339-000CN	1	Lever
12	RB1-3341-000CN	1	Tray, Legal
14	RF5-0673-000CN	1	Plate, Side

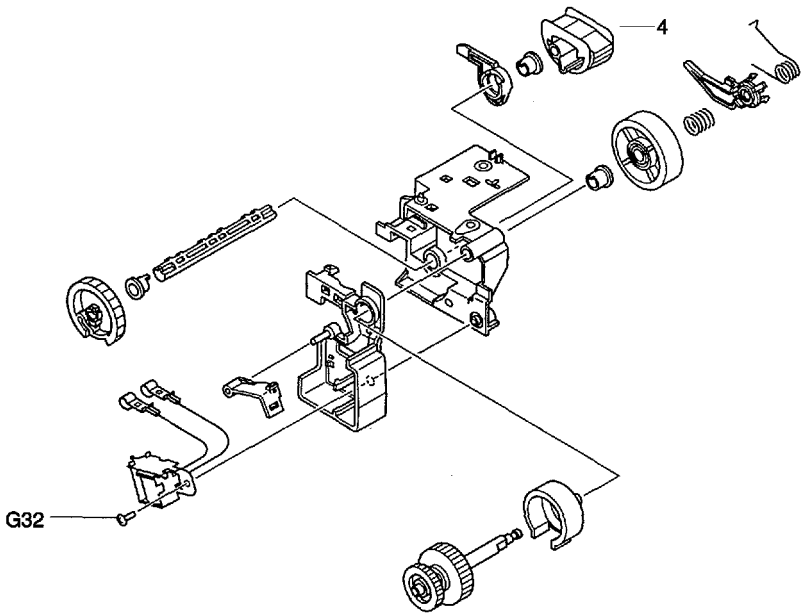


Figure 8-11 Pickup Assembly

Table 8-11 Pickup Assembly

REF	PART NO.	QTY	DESCRIPTION
	RG5-0668-000CN RG5-0796-000CN	1	Pickup Assembly: LaserJet 4L/4ML LaserJet 4P/4MP
4	RB1-3029-000CN RB1-3368-000CN	1	Pickup Feed D-Roller: LaserJet 4L/4ML LaserJet 4P/4MP

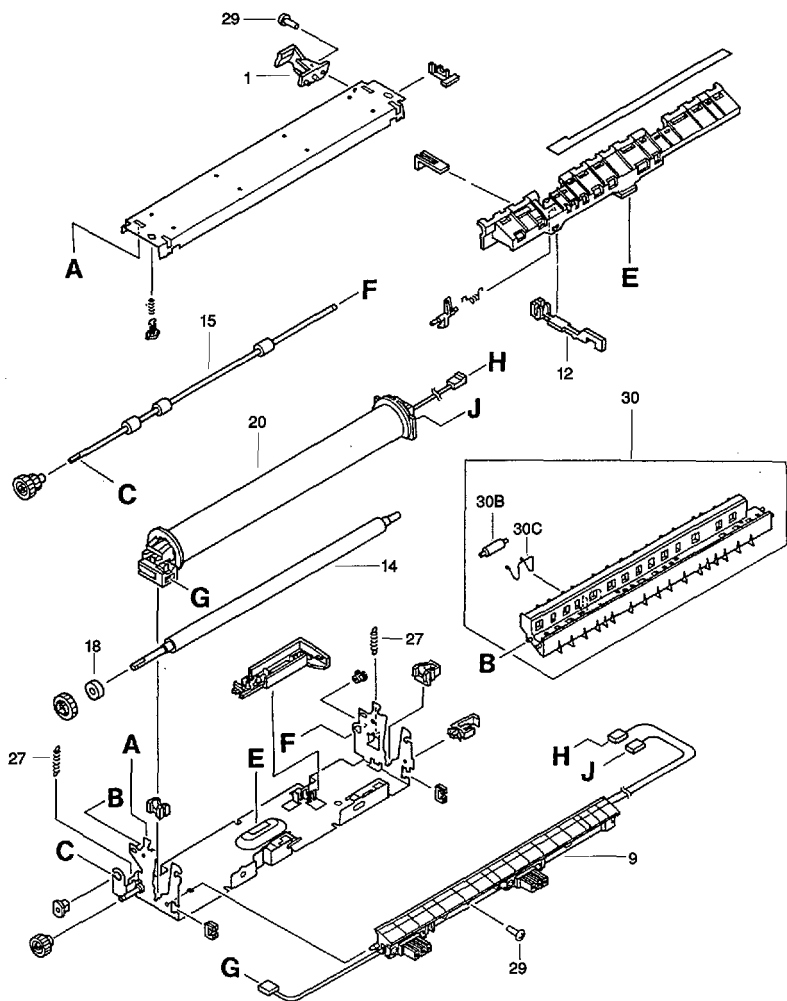


Figure 8-12 Fuser Assembly

Table 8-12 Fuser Assembly

REF	PART NO.	QTY	DESCRIPTION
	RG5-0676-000CN C2003-69001	1	Fuser Assembly, 100-120V : New Exchange
	RG5-0677-000CN C2003-69002	1	Fuser Assembly, 220-240V : New Exchange
1	RB1-2981-000CN	1	Tab, Fuser Release
9	RG5-0690-000CN	1	Guide, Fuser Entrance
12	RB1-3097-000CN	1	Flag, Exit Sensor
14	RB1-3100-000CN	1	Roller, Fuser Pressure
15	RB1-3103-000CN	1	Roller, Fuser Delivery
18	RB1-3109-000CN	1	Roller, Fuser Conductive Rubber
20	RG5-0678-000CN RG5-0679-000CN	1	Fuser Film Assembly 100-120V 220-240V
27	RS5-2224-000CN	2	Spring, Fuser Hook
29	XB2-8300-809CN	2	Screw, w/star washer (M3X8)
30	RG5-0681-000CN	1	Fuser Delivery Assembly
30B	RB1-3107-000CN	2	Roller, Delivery
30C	RB1-3108-000CN	2	Spring, Delivery

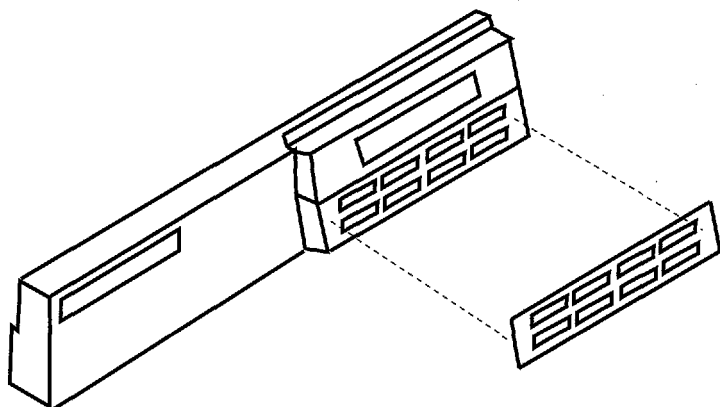


Figure 8-13 Keyboard Overlay (LaserJet 4P/4MP)

Table 8-13 Keyboard Overlays (LaserJet 4P/4MP)

REF	PART NO.	QTY	DESCRIPTION
1	C2005-40002	1	Keyboard Overlay:
	C2005-40003		Euro-English
	C2005-40004		Turkish
	C2005-40005		Portuguese
	C2005-40006		German
	C2005-40007		Spanish
	C2005-40008		French
	C2005-40009		Italian
	C2005-40010		Dutch
	C2005-40011		Norwegian
	C2005-40012		Polish
	C2005-40013		Swedish
	C2005-40014		Finnish
	C2005-40017		Danish
	C2005-40018		Chinese
			Taiwanese